

CDLL LED down light

Product introduction

Housing

Galvanized Steel, with RAL9016 white powder coated, optional SS316L

Diffuser

IP44 sealed diffuser on trim ring

Electric

LED driver
110~240V, 50/60Hz
*Dimming driver is optional

Lumen output

LED 10W 850lm
LED 20W 2000lm

Application area

IP44, meeting room, entertaining room or other interior spaces

Mounting

Recessed mounting,
150mm cut-out, thickness of ceiling less than 75mm

Entries

Two Ø20.5 or Ø27 holes for cable glands

Terminal block

3 pole 6mm² max

Ambient temp

-30 °C~+50 °C

Certificate

DNV

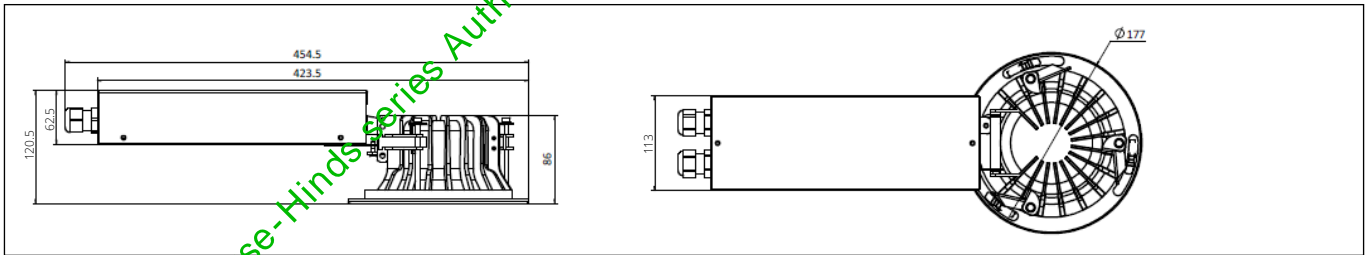


3

Ordering logic

CDLL	-00	-10	-D	-H	-W	-N
	Housing material	Wattage	Driver type	Ceiling thickness	Color temperature	Standard version
	00-Galvanized steel	10-10W 20-20W	Default—Normal driver	Default-≤50mm ceiling H-≤75mm ceiling	Default-5000K W-3500K	Default-IEC Version N-NEC Version

Dimension



Polar curve



CMBL berth LED light

Product introduction

Housing

Galvanized Steel, with RAL9016 white powder coated, optional SS316L

Switch

Double pole switch and receptacle provided

Diffuser

Acrylic

Electric

LED driver
110~240V, 50/60Hz

Lumen output

LED 6W 720lm

Application area

IP22, berth light or desk light

Mounting

Surface mounting

Entries

Two Ø5mm holes on back, with rubber grommet

Terminal block

3 pole 6mm² max

Ambient temp

-25 °C~+45 °C

Certificate

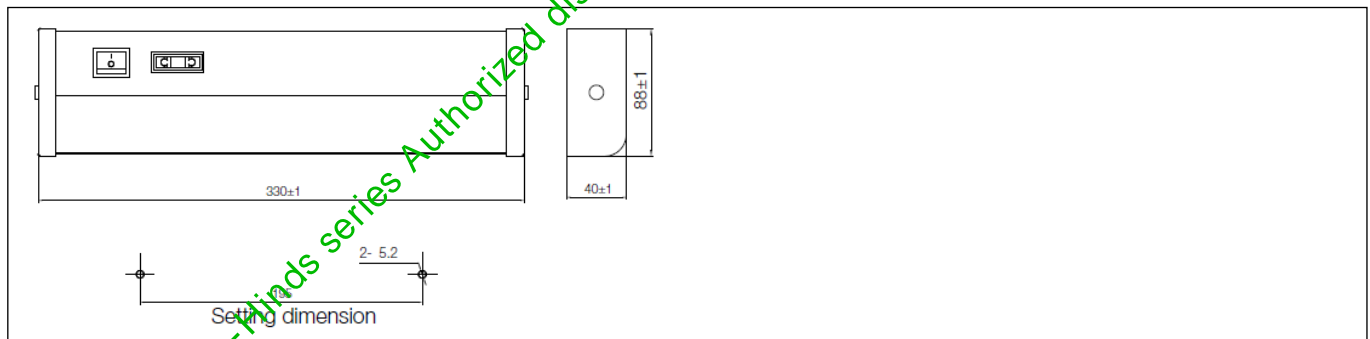
DNV



Ordering logic

CMBL	-00	-06	-NR	-W
	Housing material	Wattage	Optional socket	Color temperature
	00-Galvanized steel 16-Stainless steel 316L	06-6W	Default—with socket NR—without socket	Default-5000K W-3500K

Dimension



Polar curve



CMML mirror LED light

Product introduction

Housing

Galvanized Steel, with RAL9016 white powder coated, optional SS316L

Switch

Double pole switch and receptacle provided

Diffuser

PC

Electric

LED driver
110~240V, 50/60Hz

Lumen output

LED 6W 450lm

Application area

IP44, for bathroom, mirror or berth

Mounting

Surface mounting, under cabinet

Entries

Two Ø15mm holes on back, with rubber grommet

Terminal block

3 pole 6mm² max

Ambient temp

-25 °C~+45 °C

Certificate

DNV

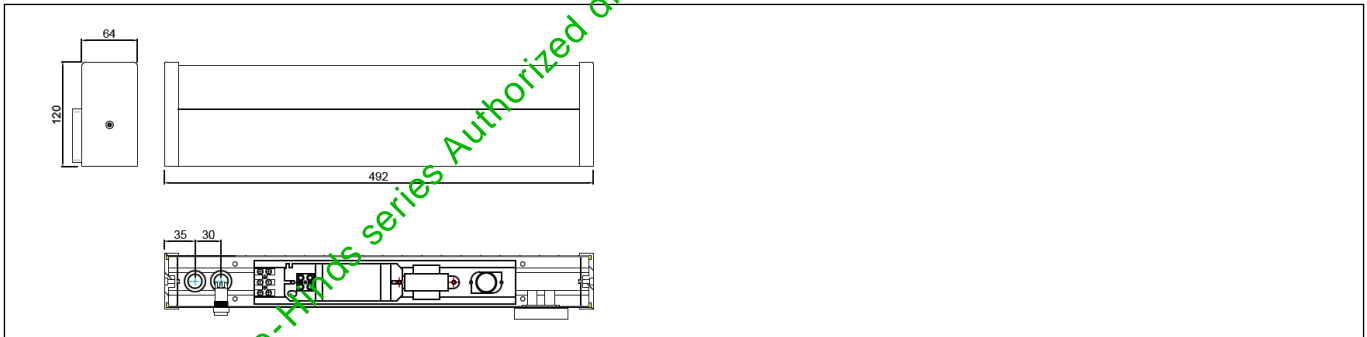


3

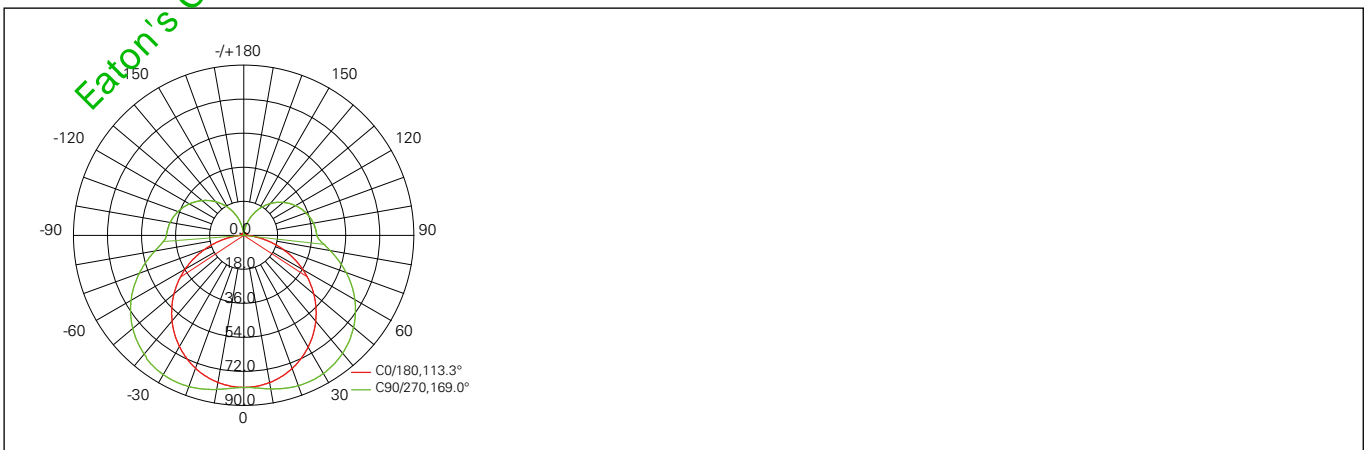
Ordering logic

CMML	-00	-06	-NR	-W
	Housing material	Wattage	Optional socket	Color temperature
	00-Galvanized steel 16-Stainless steel 316L	06-6W	Default—with socket NR—without socket	Default-5000K W-3500K

Dimension



Polar curve



CMRL recessed LED luminaire

Product introduction

Housing

Galvanized Steel, with RAL9016 white powder coated, optional SS316L

Diffuser

Translucent white pc

Electric

LED driver
110~240V, 50/60Hz
*Dimming driver is optional

Lumen output

LED 20W 1800lm
LED 40W 3700lm

Application area

IP42, for office, wheelhouse,

stateroom, and etc.

Mounting

Recessed mounting

Entries

Two or four entry holes on back, with rubber grommet

Terminal block

6 pole 6mm² max

Ambient temp

-30 °C~+50 °C

Certificate

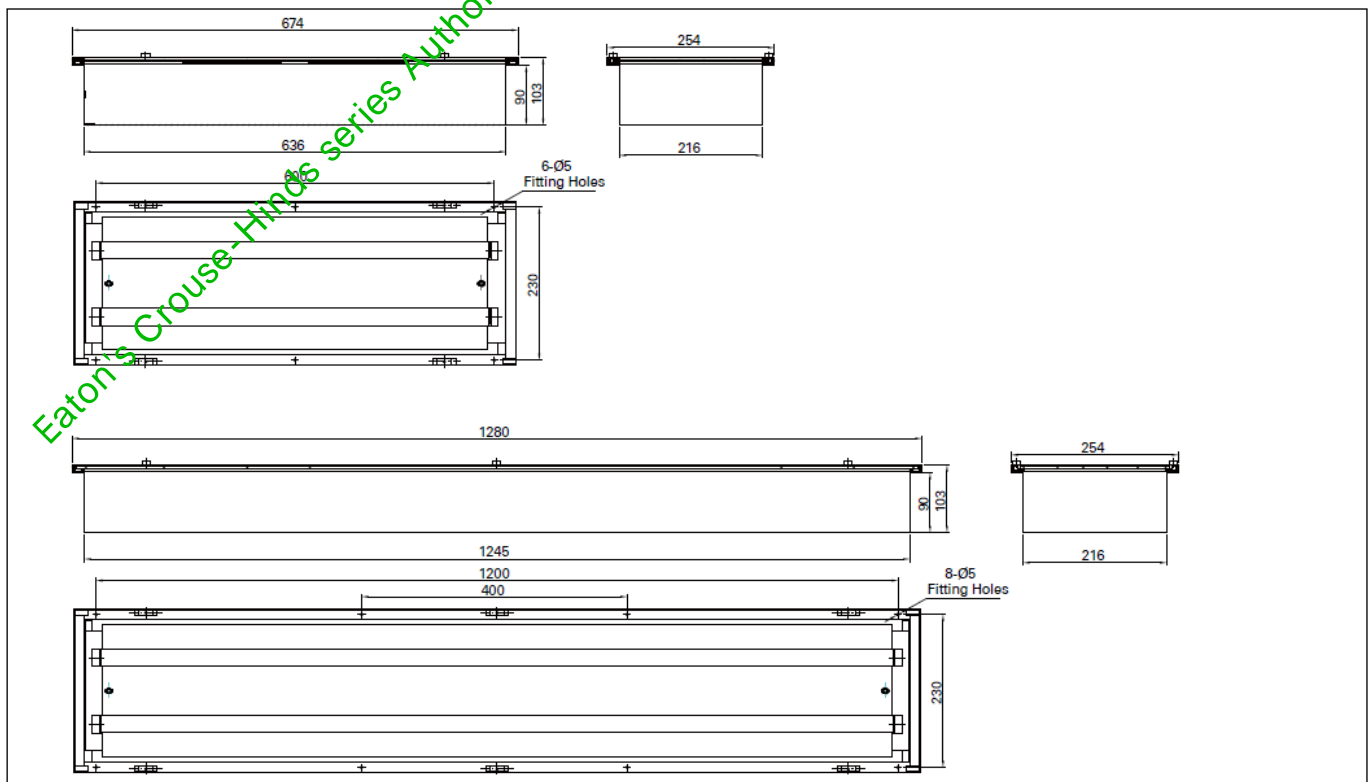
DNV



Ordering logic

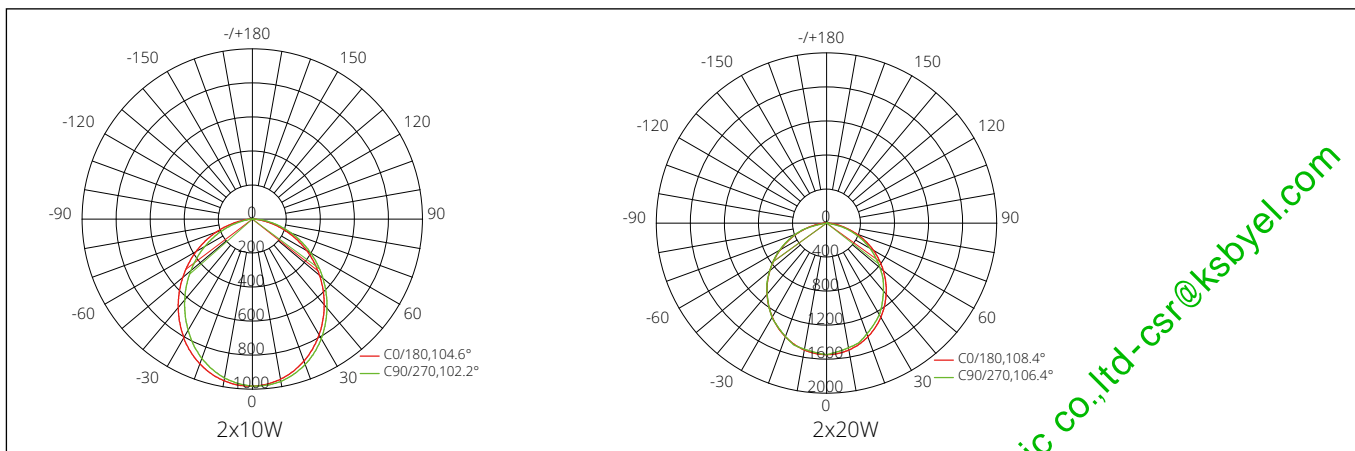
CMRL	-00	-210	-E	-EM	-20	-W
	Housing material	Wattage	Driver type	Emergency duration	Cable entry	Color temperature
	00-Galvanized steel	210-2x10W 220-2x20W	E-110-240V 50/60Hz	EM-1.5hrs EM3-3hrs Default—non-emergency	20-Ø20.5 25-Ø25.5 entry holes with rubber grommet	Default-5000K W-3500K

Dimension



CMRL recessed LED luminaire

Polar curve



Eaton's Crouse-Hinds series Authorized distributor - kunshan beiyuan electric co.,ltd-csr@ksbyel.com

CMRL/C recessed LED luminaire

Product introduction

Housing

Galvanized Steel, with RAL9016 white powder coated, optional SS316L

Diffuser

Translucent white pc

Electric

LED driver
110~240V, 50/60Hz
*Dimming driver is optional

Lumen output

LED 20W 1800lm
LED 40W 3700lm

Application area

IP44, for office, wheelhouse,

stateroom, and etc.

Mounting

Recessed mounting

Entries

Two or four entry holes on back, with rubber grommet

Terminal block

6 pole 6mm² max

Ambient temp

-30 °C~+50 °C

Certificate

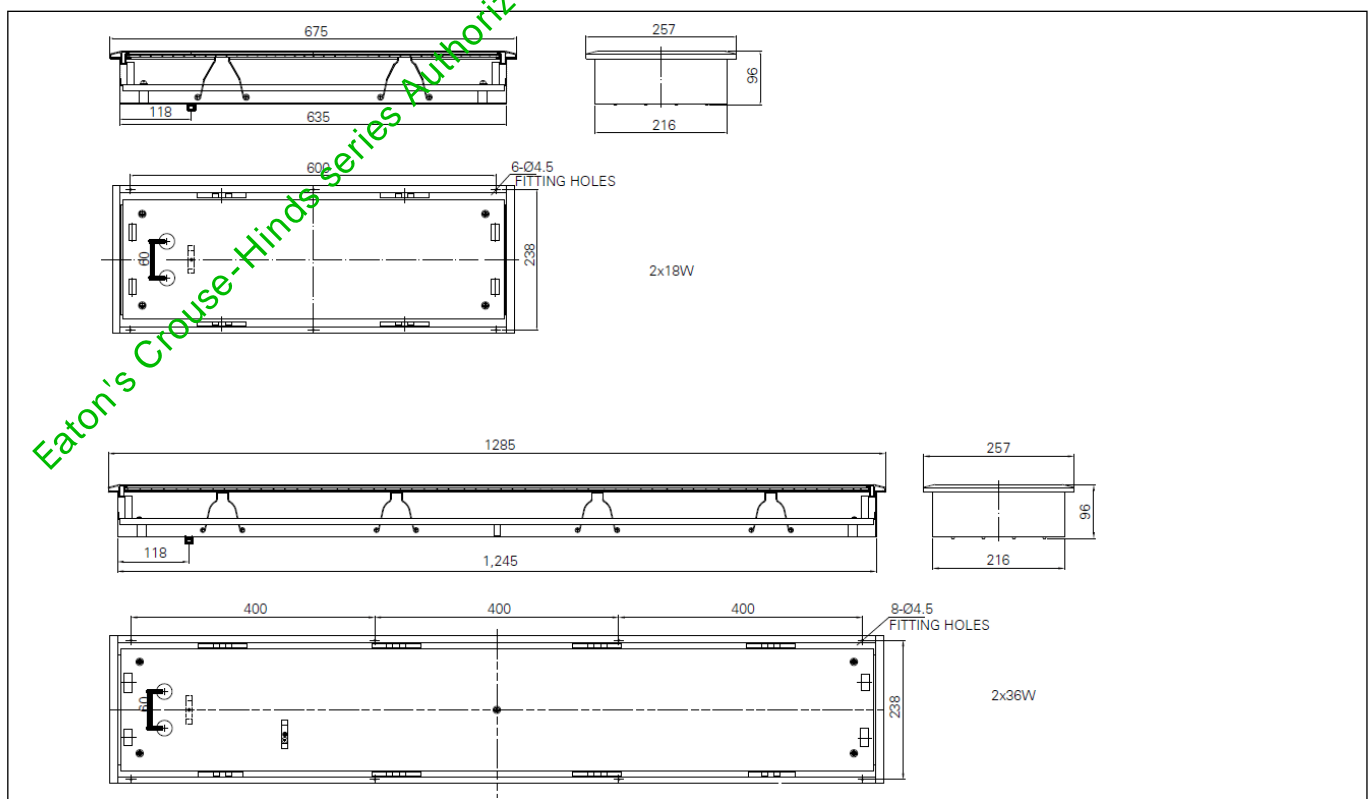
DNV



Ordering logic

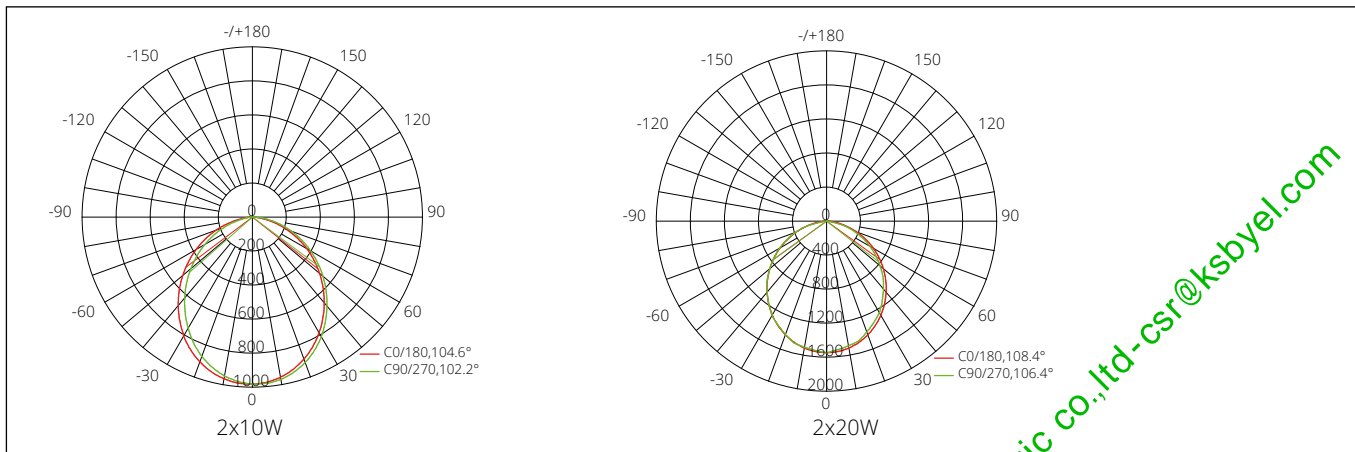
CMRL/C	-00	-210	-E	-EM	-20	-W
	Housing material	Wattage	Driver type	Emergency duration	Cable Entry	Color temperature
	00-Galvanized steel	210-2x10W 220-2x20W	E-110-240V 50/60Hz	EM-1.5hrs Backup EM3-3hrs Backup Default—non-emergency	20-Ø20.5 25-Ø25.5 entry holes with rubber grommet	Default-5000K W-3500K

Dimension



CMRL/C recessed LED luminaire

Polar curve



Eaton's Crouse-Hinds series Authorized distributor - kunshan beiyuan electric co.,ltd-csr@ksbyel.com

MSSL surface LED luminaire

Product introduction

Housing

Galvanized Steel, with RAL9016 white powder coated, optional SS316L

Diffuser

Clear PC

Electric

LED driver
110~240V, 50/60Hz
*Dimming driver is optional

Lumen output

LED 20W 2800lm
LED 40W 5550lm

Application area

IP66/67, for engine room, galley or other various

applications

Mounting

Surface mounting

Entries

Two entry holes on each end.

Terminal block

6 pole 6mm² max

Ambient temp

-30 °C~+50 °C*

Certificate

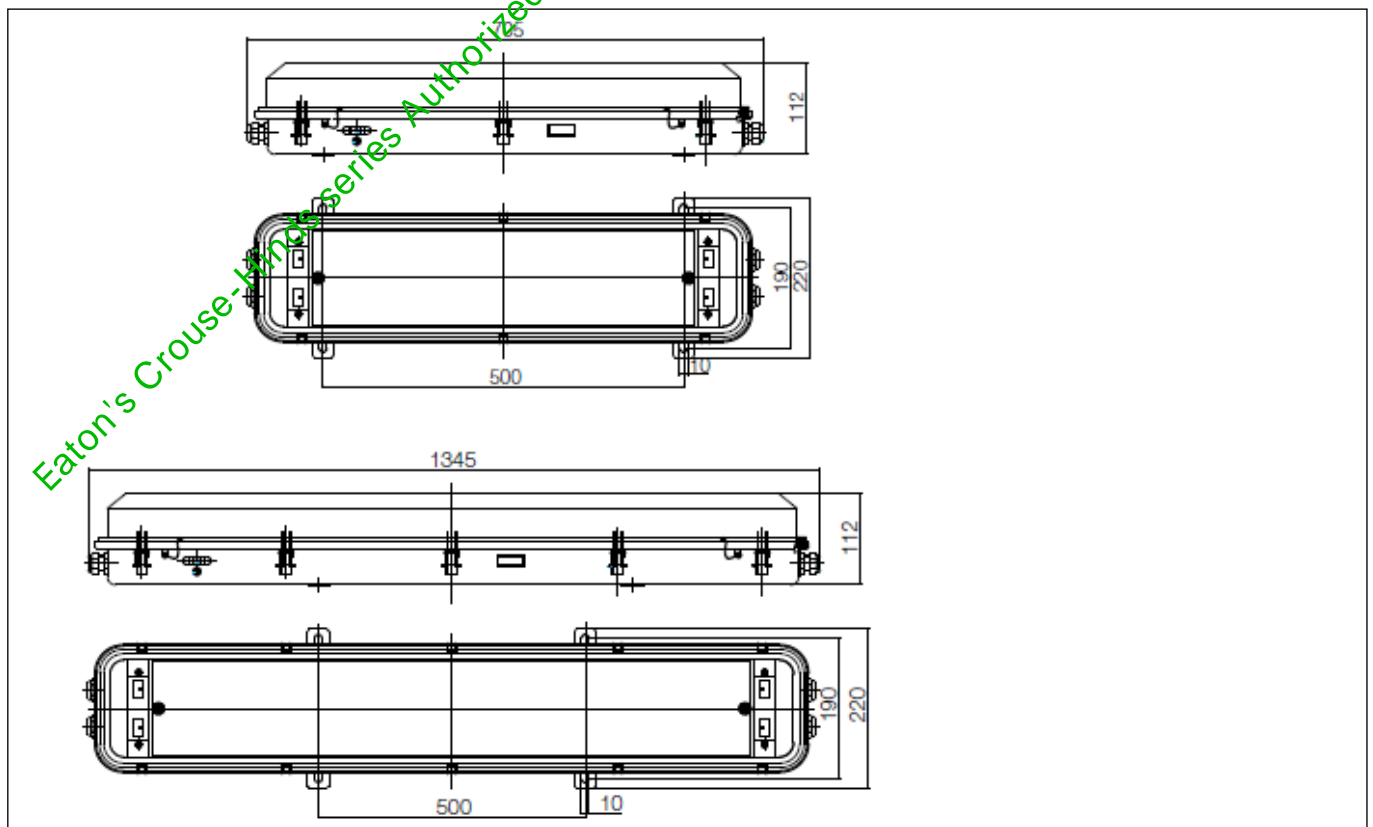
DNV



Ordering logic

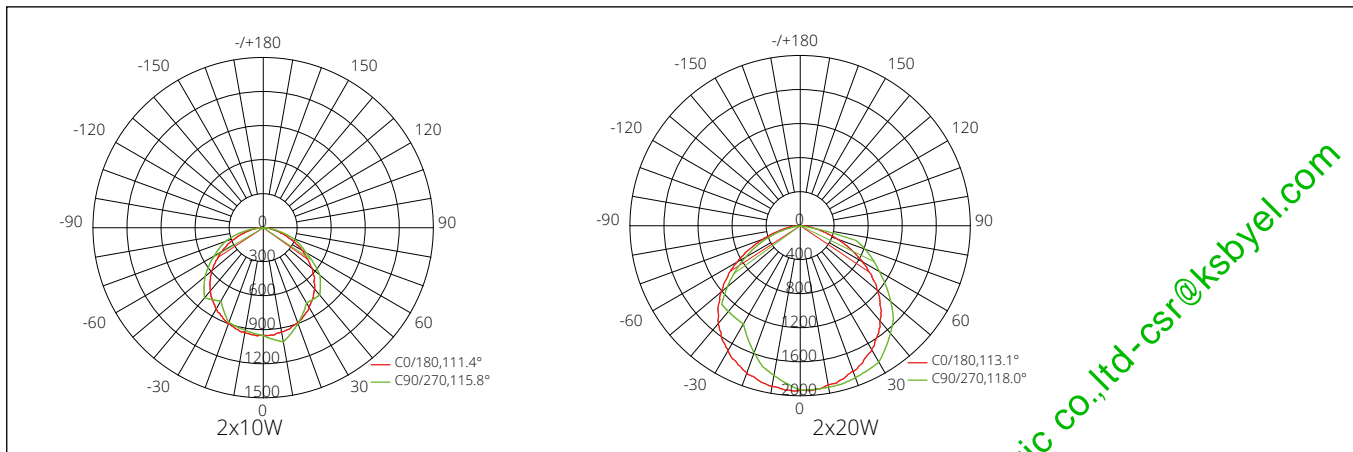
MSSL	-00	-210	-E	-EM	-20	-W
	Housing material	Wattage	Driver type	Emergency duration	Cable entry	Color temperature
	00-Galvanized steel	210-2x10W 220-2x20W	E-110-240V 50/60Hz	EM-1.5hrs EM3-3hrs Default—non-emergency	20-Ø20.5 25-Ø25.5	Default-5000K W-3500K

Dimension



MSLL surface LED luminaire

Polar curve



Eaton's Crouse-Hinds series Authorized distributor - kunshan beiyuan electric co.,ltd-csr@ksbyel.com

HRL recessed LED linear fixtures

Rugged solutions for complex environments

Eaton's Crouse-Hinds series HRL recessed LED linear fixtures are engineered to provide maintenance-free illumination in the most demanding environments, along with a competitive payback vs. fluorescent fixtures.

Available in three common sizes, the HRL is certified for use in Zones 1, 21, 2, and 22 hazardous areas, as well as Class I, Division 2 locations. Manufactured in galvanized steel or stainless steel for additional corrosion protection, HRL fixtures combine state-of-the-art LED technology with optimized thermal management to extend service life in extreme environments.

Primary applications

- Locations requiring continuous and consistent light levels in extreme ambient temperatures
- Areas requiring frequent on-and-off of lights
- Where flammable vapors, gases, ignitable dusts, fibers or flying's are present
- Where corrosive, wet, dusty, hot and/or cold conditions exist
- Marine, wet locations and hose-down environments
- Manufacturing plants, chemical or pharmaceutical facilities, platforms

Design features

Enhance safety and productivity

- Instant illumination and restrike
- T6 temperature rating to safely operate in the most hazardous environments

Reliable performance in any environment

- Outstanding water and dust proof performance (IP66)
- B0 & B15 fire rate

Reliable operation and low quality risks

- T6 rating @ 55°C ambient for standard 100-240VAC fixtures
- 108-250VDC input provision for emergency systems, cranes, etc.
- 25% lumen output in emergency operation for the whole lighting

Easy installation

- Quick & easy maintenance - Easy access to drivers and wiring
- Easy installation - Recessed mounting with T-Bar.

Electrical ratings

Model	HRL3060	HRL3012	HRL6060	HRL3060 EM	HRL3012 EM	HRL6060 EM
Voltage, VAC	110-240 VAC, 50/60HZ					
Voltage, VDC	108V-250VDC					
Power consumption	26W	52W	52W	30W	60W	60W
Inrush current peak	15A	15A	15A	15A	15A	15A
Inrush current time	0.2ms	0.2ms	0.2ms	0.2ms	0.2ms	0.2ms
Power factor cos ψ @ 230 V	0.95	0.95	0.95	0.95	0.95	0.95
Protection class	IP66					
Surge voltages	4Kv					
THD @230V	< 10%					

* Tolerance +/- 10%



Available with self-contained emergency battery backup!

Model number	Nominal lumen†	Watts	Efficiency	Equivalent fluorescent
HRL3060	2900	26W	112 Lm/w	2x18W
HRL3012	5800	52W	112 Lm/w	2x36W
HRL6060	6000	52W	115 Lm/w	4x18W

† Lumen values apply to 5700K light colour, 70 CRI fixtures. Lumen output may vary slightly for different models.

Certifications and compliances

IECEx / ATEX Standards:

- Ex e mb IIC Gb, Ex tb IIIC T80°C Db
- Ex d e mb IIC T6 Gb, Ex tb IIIC T80°C Db(for switch version)

Permissible ambient temperature

- -25°C to 55°C (standard fixture), -25°C to 55°C (emergency model)

Degree of protection accd. to EN 60529

- IP66
- Rated life of 5 years at 55 °C provides long term, low-maintenance operation

Standard materials

- Enclosure - steel with white paint finish; Stainless steel as optional
- Lens - Translucent PC
- External hardware - Stainless steel

LED system

- Light colour: Standard version is 5700K, 3000K, 4000K and 5000K for optional
- Cool white>70, warm white>80

HRL recessed LED linear fixtures

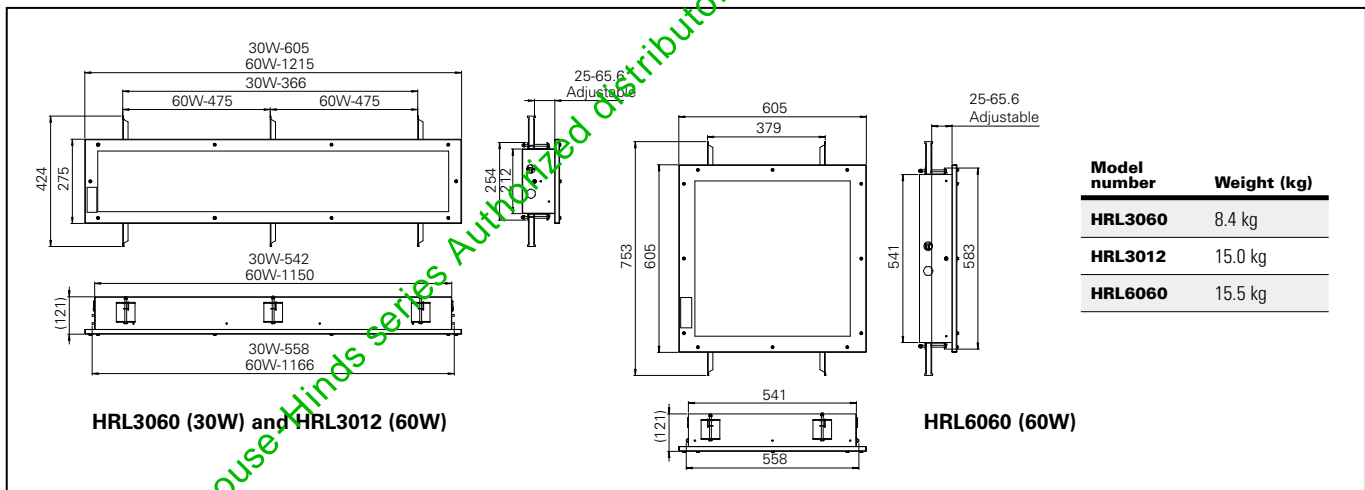
Ordering Information

HRL Model	Part Number	Power	Lumen	CCT	Gland	Through Wiring	Battery	Duration	Light Output in Emergency
600 x 600 fixture									
HRL/6060/00/60W/57/2-220	CCL1714885	52W	6000lm	5700K	M20	Yes	No	--	--
HRL/6060/00/60W/57/1-220	CCL1714877	52W	6000lm	5700K	M20	No	No	--	--
HRL/6060/00/60W/57/EM2/2-220	CCL1714949	60W	6000lm	5700K	M20	Yes	Yes	1,5h	25%
HRL/6060/00/60W/57/EM2/1-220	CCL1714941	60W	6000lm	5700K	M20	No	Yes	1,5h	25%
300 x 600 fixture									
HRL/3060/00/30W/57/2-220	CCL1714055	26W	2900lm	5700K	M20	Yes	No	--	--
HRL/3060/00/30W/57/1-220	CCL1714559	26W	2900lm	5700K	M20	No	No	--	--
HRL/3060/00/30W/57/EM2/2-220	CCL1714119	30W	2900lm	5700K	M20	Yes	Yes	1,5h	25%
HRL/3060/00/30W/57/EM2/1-220	CCL1714111	30W	2900lm	5700K	M20	No	Yes	1,5h	25%
300 x 1200 fixture									
HRL/3012/00/60W/57/2-220	CCL1714439	52W	5800lm	5700K	M20	Yes	No	--	--
HRL/3012/00/60W/57/1-220	CCL1714431	52W	5800lm	5700K	M20	No	No	--	--
HRL/3012/00/60W/57/EM2/2-220	CCL1714503	60W	5800lm	5700K	M20	Yes	Yes	1,5h	25%
HRL/3012/00/60W/57/EM2/1-220	CCL1714495	60W	5800lm	5700K	M20	No	Yes	1,5h	25%

* Tolerance +/- 10%

* Additional configurations are available upon request, please contact your local sales representative.

Dimensions & weights



Polar curves

